

AIR BLOWER MANUAL INSTRUCTION

Products Performance:

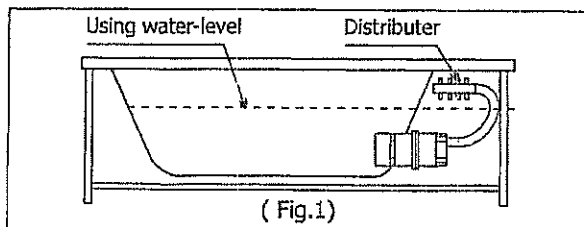
- 220V/50Hz/60Hz or 120V/60Hz
- Protection: IP45 , Insulation class B
- Thermal protector of VDE or UL approval
- Noise: Air blower with nozzle ≤ 72 dB.
- There is fuse inside the motor
- Recognize certified: CE, EMC

Parts And Materials:

- Pump casing: high temperature resistant reinforce plastic
- Air switch: 15A, 250V(Optional)
- Carbon brush: using import materials

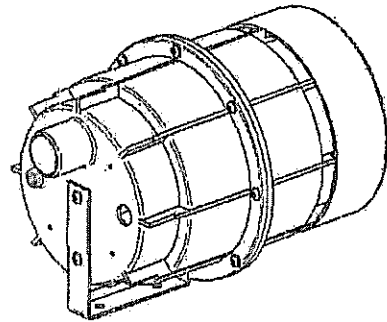
Using and Installing:

- The number of nozzle installed should be more than the number of regulation minimum.
- The installation of distributor must be higher than the using water-level in case water come into air blower pump.(Fig.1)
- The connect pipe of air blower pump must use resist heat pipe.
- Air blower pump must be installed fixed, and the connect pipe must be fastened.

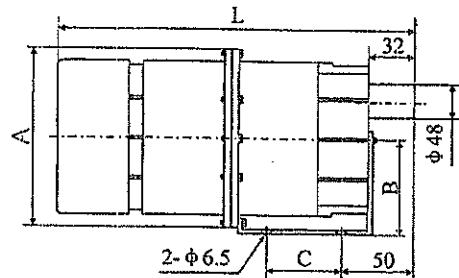


Products model and the main technology parameter:

Model	Power (W)	Current(A)		Nozzle quantity
		220V	120V	
MTI-AP900	850~900	4.5	9.0	16-32
MTI-AP900-V2	850~900	4.5	9.0	16-32
MTI-AP700	650~700	3.3	7.0	16-32
MTI-AP700-V2	650~700	3.3	7.0	16-32
MTI-AP400	350~400	2.5	4.0	12-24
MTI-AP400-V2	350~400	2.5	4.0	12-24
MTI-AP300	270~300	1.7	3.0	8-16
MTI-AP300-V2	270~300	1.7	3.0	8-16
MTI-AP200	180~200	1.2	2.0	6-12
MTI-AP200-V2	180~200	1.2	2.0	6-12



Installation Structure:



Model	L	A	B	C
MTI-AP900	249	168	88	52.5
MTI-AP900-V2	276	168	88	52.5
MTI-AP700	249	168	88	52.5
MTI-AP700-V2	276	168	88	52.5
MTI-AP400	249	168	88	52.5
MTI-AP400-V2	276	168	88	52.5
MTI-AP300	234	138	75	36
MTI-AP300-V2	262	138	75	36
MTI-AP200	234	138	75	36
MTI-AP200-V2	262	138	75	36

CAUTION

- Air blower pump must be grounded in order to prevent electrical shock or injury.
- Outlet of air blower pump can not be stuffed up when it is operating.
- When the outlet air flow is too small, the air temperature will increase, pay attention to prevent scald.
- The power must be cut off before checking the air blower pump.