

The other heating solutions



ZODIAC

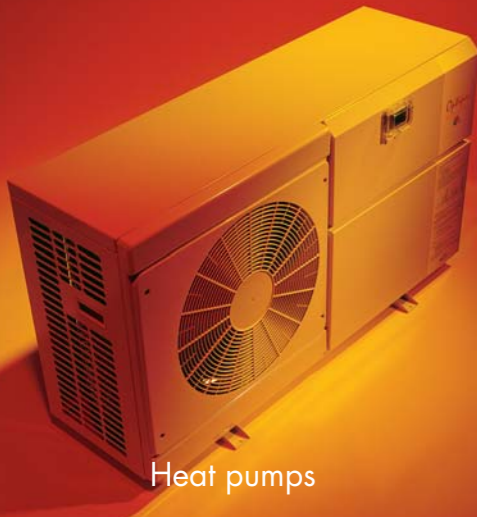
Dare change the life of your pool !

24°, 25°, 26°, 27°.

28°C

Heating of swimming pools

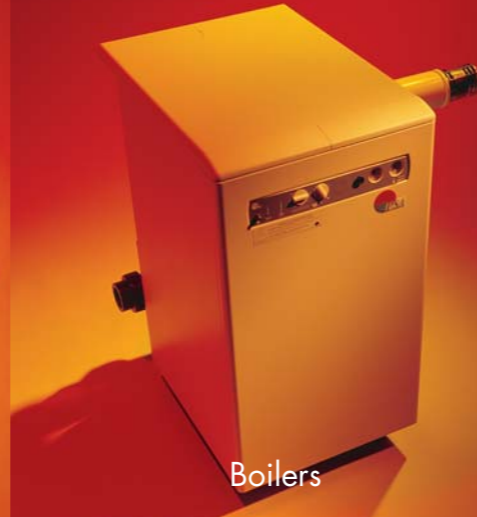
Electric heaters



Heat pumps



Heat exchangers



Boilers

Technical features of the electric heaters

	RE/L EQUIPPED	RED LINE +	RED LINE IN CASE	RE/U
Power	from 3 to 12 kW	from 3 to 12 kW	from 3 to 12 kW	from 9 to 24 kW
Digital display control thermostat		•	•	•
Control thermostat 16/40° C	•			
On/off switch	•	•	•	•
Light(s)	•	•	•	•
1 power stage	•	•	•	•
2 power stages				•
Waterlightness by EPDM flanges	•	•	•	•
HYPALON coated connections	•	•	•	•
Flow switch	•	•	•	•
Power contactor	•	•	•	•
One-pole safety thermostat 63°C	•	•	•	•
PVC Ø 50 or Ø 63 hydraulic connection	•	•	•	•
Injected polyamide/fiberglass housing	•	•	•	•
Preassembled appliance in a thermoformed case			•	•

Other products : for outdoor or indoor residential or commercial pools requiring over 24 kW, 30 to 120 kW industrial heaters are available.

www.psa-net.com

Your swimming-pool adviser

Zodiac, mastering the elements.

Renowned worldwide for the quality and reliability of its products in the aeronautical and marine sectors, Zodiac has now brought its expertise to swimming pools, to bring you a full range of pools, automatic pool cleaners, water treatment systems, heating and dehumidification units.

Backed by PSA technology, expertise and experience, Zodiac brings you the reassurance of top quality equipment in terms of both design and performance.

A real guarantee of efficiency and peace of mind !



Création L. Flécheux - Photos P. Joly - Photographure Topgraphic - Impression PCR / Photo page 4 : Piscines & Spas Magazine - Réalisation : Clair'azur - Photo : Jacques Leclerc / Photo page 6 : Piscines & Spas Magazine - Réalisation : Pam piscines - Photo : Christian Larit



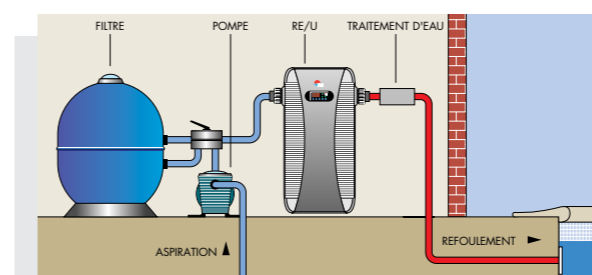
Working principle : A PSA electric heater consists of an injected polyamide/fiberglass housing in which the water of the pool circulates, and of TITANIUM electric heating elements that heat up the water of the pool when it flows through. The heater is operated by a control thermostat and remote-controlled by the filtration.

THE EASIEST WAY TO HEAT A POOL

Easy installation and use

Electric heaters are the simplest appliances to be installed and used. Thanks to their dismantlable fittings, Ø 63 or 50, the heaters are installed directly on the filtration circuit. The electric connection shall be made on the terminal box, single-phase 230 Volts or three-phase 400 Volts (caution! Some heaters are available in three-phase only). These appliances are even easier to use :

- Adjust the thermostat of the heater to the temperature wanted
- Start the filtration either in manual position to increase the temperature, or in automatic position to maintain it.



Corrosion defect zero ! PSA electric heaters are equipped with electric heating elements made of **TITANIUM**, which enable heating of any water, regardless of its origin and treatment (sea water, chlorine, bromine, ozone, electrophysical, electrochemical treatment, chlorine-free products). Since 1995, 25,000 PSA heaters have been equipped with TITANIUM resistors without so far any corrosion defect. Supported by this success, we grant a life-time guarantee against corrosion for the Titanium heating elements.



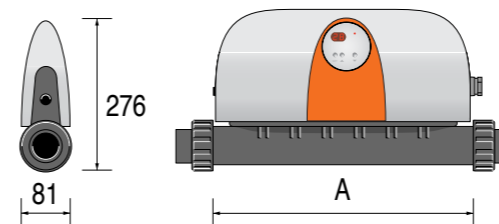
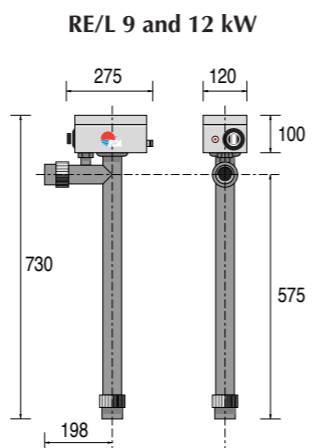
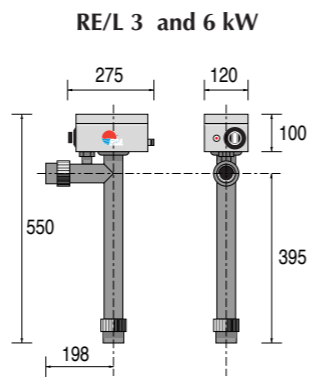
RE/L equipped

- ▶ Vertical electric heater for outdoor or indoor, above- or inground pools.
- ▶ Standard equipment :
 - TITANIUM heating element
 - Polyamide housing
 - Power contactor
 - Control thermostat 16/40° C
 - Flow switch
 - Connection terminal box
 "Plug and play" appliance.
- ▶ Easy installation
 - PVC hydraulic supply, Ø 63 or 50
 - Power supply, single phase 230 V or three-phase 400 V (RE/L 12 kW only three-phase).
- ▶ Safety :
 - in accordance with the CE European standards
 - Titanium heating element, guaranteed for life against corrosion.



Red line⁺

- ▶ Straight electric heater designed for outdoor or indoor pools.
- ▶ The easiest installation : in line on the filtration circuit, PVC diameter 63 or 50 in the circulation of water.
- ▶ The best equipment / space required ratio : TITANIUM heating element, injected polyamide housing, control thermostat 16/40°C, safety thermostat, flow switch, on/off switch, light, connection terminal box.
- ▶ Single phase 230 V or three-phase 400 V coupling (RED LINE 12 kW only three-phase).
- ▶ Safety :
 - in accordance with the CE European standards
 - Titanium electric heating element, guaranteed for life against corrosion.

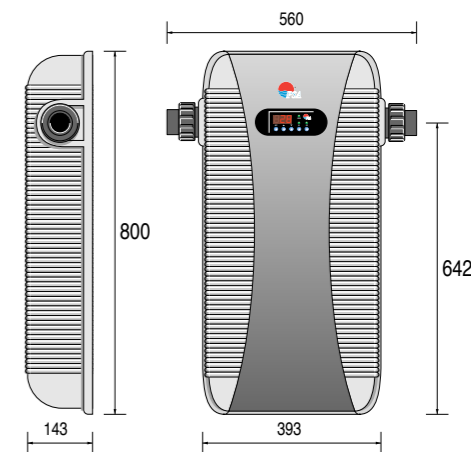


Model	RE/LE 3	RE/LE 6	RE/LE 9	RE/LE 12
Item code	40 LE 03	40 LE 06	40 LE 09	40 LE 12
Power	3 kW	6 kW	9 kW	12 kW
Current consumption				
Three-phase 400 V (A)	5	9	13	18
Single-phase 230 V (A)	14	27	40	-
Min. flow rate		5 m ³ /h		
Max. flow rate		20 m ³ /h		
Hydraulic connection		PVC Ø 50 or Ø 63		
Weight		4 kg		

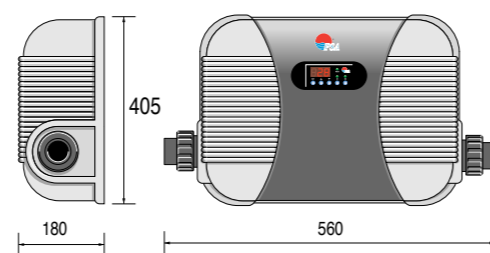
Model	Red line 3	Red line 6	Red line 9	Red line 12
Item code	40 RDE 3+	40 RDE 6+	40 RDE 9+	40 RDE 12+
Power	3 kW	6 kW	9 kW	12 kW
Current consumption				
Three-phase 400 V (A)	5	9	13	18
Single-phase 230 V (A)	14	27	40	-
Min. flow rate		5 m ³ /h		
Max. flow rate		30 m ³ /h		
Hydraulic connection	1/2 Unions PVC Ø 63 + reduction Ø 50			
Weight		4 kg		
A (mm)	452	452	552	552

Red line in case

- ▶ Straight electric heater in case designed for outdoor or indoor pools.
- ▶ Easy use : thanks to its digital display control thermostat, temperature of the pool is selected degree after degree.
- ▶ A complete case : TITANIUM heating elements, polyamide housing, digital time delay controller, safety thermostat, flow switch, power contactor, on/off switch, light, connection terminal box.
- ▶ Easy installation :
 - PVC hydraulic supply, Ø 63 or 50
 - Power supply, single phase 230 V or three-phase 400 V (12 kW model only three-phase).
- ▶ Safety :
 - in accordance with the CE European standards
 - Titanium electric heating elements, guaranteed for life against corrosion.



Model	RE/DC 3Ti	RE/DC 6Ti	RE/DC9Ti	RE/DC12Ti
Item code	40 RDC 3Ti	40 RDC 6Ti	40 RDC 9Ti	40 RDC 12Ti
Power	3 kW	6 kW	9 kW	12 kW
Current consumption				
Three-phase 400 V (A)	5	9	13	18
Single-phase 230 V (A)	14	27	40	-
Min. flow rate		5 m ³ /h		
Max. flow rate		30 m ³ /h		
Hydraulic connection	1/2 Unions PVC Ø 63 + reduction Ø 50			
Weight	10 kg			



Model	RE/U 9	RE/U 12	RE/U 15	RE/U 18	RE/U 21	RE/U 24
Item code (model three-phase)	40TIT9	40TIT12	40TIT15	40TIT18	40TIT21	40TIT24
Puissance thermoplongeurs (kW)	3 + 6	6 + 6	6 + 9	9 + 9	9 + 12	12 + 12
Three-phase 400 V (A)	13	18	22	26	31	35
Single-phase 230 V (A)	40	53	66	79	-	-
Min. flow rate				5 m ³ /h		
Max. flow rate				22 m ³ /h		
Hydraulic connection	PVC Ø 63 or Ø 50					
Weight	12 kg					

RE/U

- ▶ U-shaped electric heater in case designed for outdoor or indoor pools.
- ▶ Easy and flexible to use : thanks to its digital display control thermostat, temperature of the pool is selected with accuracy within one degree.
- ▶ Thanks to its two power stages, power can be adapted to the needs.
- ▶ U-shaped patented design which allows to fit 2 heating elements and to keep a constant water reserve in the heater to avoid dry fire.
- ▶ Complete equipment : 2 TITANIUM heating elements, polyamide housing, digital time delay controller, safety thermostat, flow switch, power contactor, on/off switch, light, connection terminal box.
- ▶ Safety :
 - in accordance with the CE European standards
 - Titanium electric heating elements, guaranteed for life against corrosion.